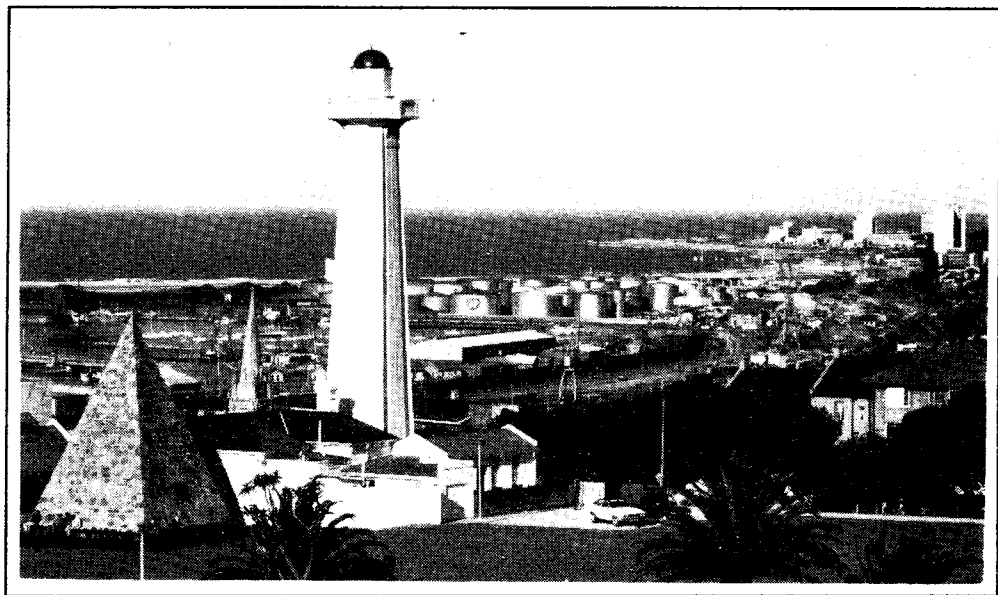


Q S X
P E



THIS NEWSLETTER IS PUBLISHED BY THE
PORT ELIZABETH AMATEUR RADIO SOCIETY

P.O. BOX 10402
LINTON GRANGE
6015

April 1997

NOTICE OF MEETING

The monthly general meeting of the **PORT ELIZABETH AMATEUR RADIO SOCIETY** will be held on **Friday, 18 April 1997**, commencing at 20:00 (8pm) in the Municipal Disaster Management Centre in Westview Drive, Mill Park, Port Elizabeth (Civil Defence Centre).

Last month we were to have been addressed by a visitor on the subject of adhesives, but things came unstuck and the talk failed to materialise. Perhaps the gent will adhere to the arrangement next time and he'll have us glued to our chairs as he relates his story. It'll be tacky of him if he doesn't.

Tea, coffee and munchies will be available. Please drop a reasonable chunk of silver into the dish provided.

Technical Talk

The monthly technical get-together will take place at 20:00 on Wednesday, 23 April at the clubhouse. The door will be open by 19.30 so you can have a chat with your gabbas or use the library while waiting. The BACAR project - *Balloon Carrying Amateur Radio* - will be taken a step further. This project is unfolding very nicely.

★

Subscriptions were due 1 April

The financial year of the Society ended on 31 March 1997 and, if you have not already done so, now is the time for all good men, women and others to let Clive have your bucks. Members paying cash should remember to furnish their personal particulars and those of their spouses (names, birth and anniversary dates) on the form that Clive will have handy. If you remit by cheque, please include a note detailing these particulars. (We don't want to know the *year* of birth or marriage, but it is interesting to know when you're approaching possible mention in the book of records!)

The subscription is R50 for a full member and R30 for a family or student member.

★

PEARS AGM

The AGM will be held on *Saturday, 17 May 1997* - see the full notice elsewhere in this issue of QSX-PE. In the meantime, please think who you would like to have on the committee for the forthcoming year. Some of the present committee members have indicated that they do not wish to stand for re-election so we will need some new faces (did I spell that right?). It is good to have one or two of the newer/younger members.

Motions for discussion at the AGM must reach the Secretary by not later than the April meeting of the Society.

★

FLEA MARKET

The Flea Market suggested for April 26 has been postponed as the proposed date falls in a long weekend, followed by another holiday the following week. It will instead be held on **17 May**, coincident with the bring 'n braai immediately following the AGM.

Q



A Word

from the Chair

*I*t is a little more than one month to the scheduled Annual General Meeting of our Society. This will be the start of our first full year since formation.

I am sure you will agree that things have run somewhat smoothly but there is always room for improvement, particularly on the social scene.

By now all members will be aware of the scheduled social events for the remainder of the year and hopefully we will enjoy your unqualified support at as many of these as possible. After all, only your presence can ensure their success.

*T*here was, unfortunately, a glaring lack of younger faces at the recent refurbishing of the Grahamstown repeater site and re-location of the equipment. Notwithstanding the physical effort required and also the somewhat inclement weather, the day was most pleasant. The repeater network, one of the best in the country, is there for all to use whether you are a member or not, so a little physical input is not very much to ask.

Please give some thought to a new committee, or at least a few replacements, again with younger faces.

73,

Dick ZS2RS

HAMNET NEWS

Herald Cycle Tour

Hamnet East Cape provided comms for this event on Sunday, 30th March. Operations went smoothly and we had some fun and operating practice while providing a useful service. Thanks to Ken ZS2OC, Mike ZS2IC, Stoffel ZS2C, Alex ZR2T and André ZR2BC, who manned the various points.

New Members

We wish a warm welcome to John ZR2ABH, Theuns ZR2TP, Wes ZR2WES, Shirley ZR2S, Shane ZR2W and Chris ZS2S who have joined Hamnet. It's nice to have a lady among our members and it is good to have Chris ZS2S back in the fold.

Congratulations to John ZR2ABH, who has passed three modules and to Wes ZR2WES, Shirley ZR2S, Shane ZR2W and Chris ZS2S, who have each passed two modules.

Module 3: Incident Scene Procedures

When arriving at an incident scene, your first priority is to ensure your own safety

and the safety of any others with you. If you are in a vehicle, park well clear of any traffic or other hazards. Especially if you are first on the scene, assess the overall situation. Bear in mind that other emergency services on the scene are in charge and you may assist with their permission. Take care of any immediate dangers and/or, if possible, administer basic first aid where required immediately. Call for help, passing on information such as:

- Location of incident
- Number and types of casualties
- Requirements such as ambulance, fire brigade, jaws of life, etc.
- Potential hazards such as petrol or fuel spillage, hazardous chemicals, etc.
- Have a copy of the Hazchem vehicle load identification system.

73

Al Akers ZS2U

**Provincial Director,
Hamnet East Cape.**



Instant Printing

FOR ALL YOUR
PRINTING REQUIREMENTS

9 St. Patricks Road, Port Elizabeth 6001

Telephone: (041) 55-2614

Try us for your QSL cards!



ANNUAL GENERAL MEETING JAARVERGADERING

The Annual General Meeting of the Port Elizabeth Amateur Radio Society will be held on **Saturday, 17 May 1997**, commencing at **16:00 (4pm)** in the **Scout Hall, van Plettenberg Street, Kabega (NOT at the usual monthly venue)**.

The Agenda is as follows:

1. Welcome
2. Minutes of 1996 Special General Meeting
3. Chairman's report
4. Treasurer's report
5. Club awards
6. Election of Chairman
7. Election of Committee
8. Discussion of motion/s
9. General
10. Close of Meeting

Die Jaarvergadering van die Port Elizabeth Amateurradio Vereniging sal om **16:00 (4nm)** op **Saterdag 17 Mei 1997** plaasvind, en wel in die **Verkennerssaal, van Plettenbergstraat, Kabega (NIE die maandelikse vergaderplek nie)**.

Die Sakelys is soos volg:

1. Verwelkoming
2. Notules van 1996 Spesiale Algemene Vergadering
3. Voorsitter se verslag
4. Tesourier se verslag
5. Klubtoekennings
6. Verkiesing van Voorsitter/voorsitster
7. Verkiesing van Komitee
8. Bespreking van mosie/s
9. Algemeen
10. Sluiting

SARL News

We congratulate **President** Chris Turner and the **other SARL Councillors** who were elected at the 1997 AGM and wish them well in the extremely difficult task that lies ahead for each and every one of them if, as the HQ bulletin said, they are to take the SARL into the 21st century. Only 11 of the 15 available positions were filled, including a 'new kid on the block' (Brian Ellse ZR5DTS). Others will be co-opted in due course.

Subscriptions have been upped for ordinary membership from R95.00 to R105.00, for seniors from R65.00 to R70.00, incapacitated members from R65.00 to R70.00 and for club affiliation

from R95.00 to R105.00. The fees for spouse and student membership remain unchanged at R30 and R45 respectively. We have heard that current SARL membership is around the 1800 mark but have not had any official statement.

Because of the blackout on **news of the AGM** we do not know whether the motion dealing with the 70% SARL membership prerequisite for a club wishing to affiliate with the League was carried, amended or thrown out.

It was not clear from the motion itself what its intention actually was. It was submitted by Council.

FM DX monitoring

Are you remembering to monitor 50.450, 144.450 and 433.450 MHz for possible long-distance stations using FM? (See page 10, QSX-PE, February 1997). Use horizontal polarization. Q

MINUTES OF THE MONTHLY GENERAL MEETING OF THE PORT ELIZABETH AMATEUR RADIO SOCIETY, HELD AT THE MUNICIPAL DISASTER MANAGEMENT CENTRE, MILL PARK, PORT ELIZABETH ON FRIDAY, 21 MARCH 1997

Present & Apologies: As per register, plus apologies from Lynne ZS2MM, Chris ZS2AAW and Trevor ZS2AE.

Welcome: The Chairman, Dick welcomed all to the meeting.

Minutes of the Previous Meeting: Adopted – proposed by Gus ZS2MC, seconded by Bill ZS2ABZ.

Guest Speaker: There was supposed to be a guest speaker who was going to tell us all about adhesives, but he cancelled at the last minute. Hopefully we will hear all about it at the next meeting.

Matters Arising: None

Finance & membership: Savings: R4 233,35; Investment R16 569,00. The drop in savings is due to the payment of licence fees for repeaters, beacons etc.

Correspondence: Nothing requiring mention.

General:

1. Chairman Dick reported that the changeover of equipment at Grahamstown earlier in the day went off without a hitch, and that the job had been completed despite the intermittent rain. He expressed disappointment at the fact that so few members turned up to assist and participate in what was also planned as a social event - the head count was only 13.

Interesting pieces of trivia were that the old telephone booth had done duty as the repeater accommodation for 23 years and the only members who were present at the installation of both that and the new equipment were Dick ZS2RS and Lionel ZS2DD.

2. The Chairman reminded members of the forthcoming social events as per the schedule published in the March edition of QSX. It was not cast in concrete, and all ideas would be welcome.

- With regard to the DF hunt, Owen ZS2AZ suggested that it be preceded by a construction project for DF equipment because PEARS only had 6 DF sets, in a doubtful state of repair which might limit participation.

3. Members were reminded of the forthcoming VW rally sometime during July.

- Owen ZS2AZ suggested that, instead of members going to the after-party arranged by the organisers, we arrange our own function. This would be more fun from our point of view. There was support for this suggestion.

4. Nobody had yet received call-books. Garth ZS2HB reported that he had learnt via packet that there had been hold-ups in the publication.

5. PEARS had received a price list of all the books available from HQ. Contact the Secretary for details.

There being no further business, the meeting closed at 20:50 and members participated in the social side of things until evicted by the Chairman.

Ω

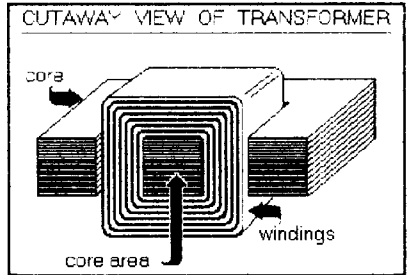
Fiddlers' Corner

WHAT SIZE TRANSFORMER?

VIV MOORE, ZS2VM

How often have you held a transformer in your hand and thought: "Is this thing able to do the job?".

In doing some research for this article both Garth, ZS2HB and I could not understand why there was the discrepancy between the ARRL Handbook and the RSGB Handbook, until it was pointed out that the Americans use a 60Hz mains system while in the UK, and here, 50Hz is used.



To help you decide whether to use the transformer you have, here are some rule of thumb guidelines

(Table 1). The RMS voltage given is usually at the rated loaded current and the unloaded voltage reading is about 10% higher.

Table 2 allows you to select an appropriate wire size for the current that is to be carried.

Core x-section Sq. mm.	VA Rating
250	15
325	20
380	25
650	50
800	75
970	100
1125	125-150
1300	175-200
1625	250-300
1950	350-400
2100	450-500

Current rating of copper wire		
SWG	Dia. in mm.	Amps.
10	3.25	23
11	2.90	18
12	2.65	14.8
13	2.30	11.8
14	2.05	9.3
15	1.82	7.4
16	1.65	5.8
18	1.23	3.6
20	0.95	1.8
22	0.72	1.1
24	0.60	0.75

Should you wish to wind your own transformer, use this formula:

$$\text{Turns / volt} = \frac{4550}{\text{x-section of core (in sq. mm.)}}$$

Example: 20 VA transformer - $T/V = \frac{4550}{325}$
 $= 14$

Happy winding!

Q

Build a Direction-Finding antenna for our BACAR project!

DF Add-on for your 2m Handheld

ADAPTED FROM A HIGHWAY BRANCH PROJECT
DEVELOPED FROM AN ARTICLE IN QST, MAY 1993

You have often wished that you had a direction-finding capability, something simple to use with your two-metre handheld. And now, with the PEARS BACAR project getting into its stride, the time is ripe for you to throw together this simple, lightweight antenna that plugs into the rubber-duckie socket on your handheld and turns your radio into an effective direction-finding unit. Owen ZS2AZ has constructed one and tests show that it works very well. The circuit diagram appears as Figure 1.

You can "roll your own" printed circuit board (see that there are 10mm long tracks between antenna terminals and their 1nF capacitor connection points) or Des ZR2DH will etch one for you at a very nominal cost. In addition, you will need the items in the accompanying shopping list.

CONSTRUCTING THE UNIT

First solder the resistors onto the board, then instal the capacitors. Next, fit the diodes, noting which way they are orientated. These devices are polarised, the dark stripe closest to one end being the cathode (k).

Now solder in the integrated circuit (IC CD4047), ensuring that you orientate it correctly otherwise it will be damaged when you switch the unit on. Do not use excessive heat when soldering it in as this could also damage the IC.

Finally, solder the switch as well as the battery leads. The red lead of the battery wire is positive (or +) while the black wire is negative (-) and connects to the earthy area of the PC board.

Fit the BNC connector to one end of the coaxial lead and then solder the other end onto the PC board after cutting the coax to a convenient length to reach your handheld radio. This will depend on the

length chosen for your broom handle, about 700-800 mm being sufficient for the latter to enable the unit to be held clear of your head.

A short length of wire can serve the dual purpose of holding the coax firmly to the component side of the PC board and, at the same time, connecting the braid to the earth track of the board.

To do this, make a solder joint where the wire passes over the bared braiding of the coax, pass the ends of the wire through holes in the PC board and solder them to the earth track. Take care not to use excessive heat when soldering the wire to the coax screen, or you may melt the dielectric. You *did* remember to solder the centre conductor of the coax to the PC board, didn't you?

So much for the PC board components. Now solder a terminal onto one end of each of your brass rods such that the distance from the centre hole of the terminal to the far end of the rod is 510mm. These will be the sense antennas on the unit and should be *made and bent exactly the same as one another*. This is very important or you will get false readings when DFing.

Measuring from the centre of the holes in the terminals, make marks at 170mm and at 330mm along both rods.

These are your bending points. Bend the antennas as shown in Figure 2. Secure them to the PC board, using suitable nuts and bolts, making sure you have good contact with the copper area below the PC board.

Cut a slot into the top of the broomstick the same thickness as the PC board. Glue the PC board into this slot as shown. Drill a 2mm hole, 5mm deep, on each side of the broomstick at the points where the free ends of the antennas meet it. Push the free ends of the antennas into these holes.

Use the cable tie to secure the battery to the broomstick below the PC board (unless you choose to mount the board and battery in a suitable plastic box). Connect the battery to the unit and the BNC connector to the antenna terminal of a two-metre hand-held radio.

USING THE UNIT

Tune the receiver to the appropriate DF frequency. It is best to start off with a test in which you know the location of a carrier, e.g. the weather facsimile (Wefax) station located at the Oceanarium (145.350 MHz). You should hear the modulated carrier as well as a 1 kHz tone. Hold the unit above your head and rotate it until you hear a null in the audio tone.

The null is fairly sharp but the tone does not always disappear completely. The signal will be 90° to the plane of the whole antenna structure, as in a dipole. Consequently, the source of the signal could be in front of the unit *or* behind it. Draw lines on your map in the two directions from your position.

Obviously only one of these two bearings can be correct, so you need to take at least

one further bearing from a different site which, by triangulation, will enable you to plot the source more accurately. For this purpose, move some distance away at right angles to the lines that you have drawn on your map and repeat the whole process.

Now you will notice that one of the lines converges with one of those drawn from your previous position. Where they cross indicates the approximate location of the transmitter but, to pinpoint the spot more accurately, you will in practice probably need to repeat the whole process at least once more from positions closer to the point where your earlier lines crossed.

Develop your expertise by triangulating other signal sources, e.g. the Town repeater on 145.650, or other hams. Practice makes (almost) perfect. Just remember to keep clear of buildings and other structures in order to avoid confusing reflections and consequential false bearings.

A word of warning: DO NOT TRANSMIT INTO THE UNIT. It will be damaged, and possibly your handheld too.

☐ Come along to the technical evening on 23 April, when further discussion on this unit will take place, and you can let Des know if you want a PC board etched. Since the technical evenings are intended to involve more people, especially our newcomers, in things technical, participants are urged to try their hand at drawing out their own PC board designs from the circuit diagram in Figure 1. The various efforts can be compared and Des will etch one either from your own design or from the most favoured one. Ω

SHOPPING LIST for "Handi-Finder" DF Unit

- | | |
|----------------------------------|----------------------------------|
| 3 x 1k resistors ¼ watt | 2 x 2mm brass rods (see text) |
| 3 x 10k resistors ¼ watt | 2 x terminals for antennas |
| 8 x 1nF capacitors 16v | 1 x BNC connector (male) |
| 1 x 22nF capacitor 16v | 1 x cable tie |
| 1 X CD4047 Integrated Circuit | nuts & bolts to secure antennas, |
| 2 x 1N4148 diodes | PC board in box etc. |
| 1 x switch | ±1 metre RG-58 coaxial cable |
| 1 x PP3 9 Volt battery | length of broom stick |
| 1 x battery lead for PP3 battery | soldering requirements |

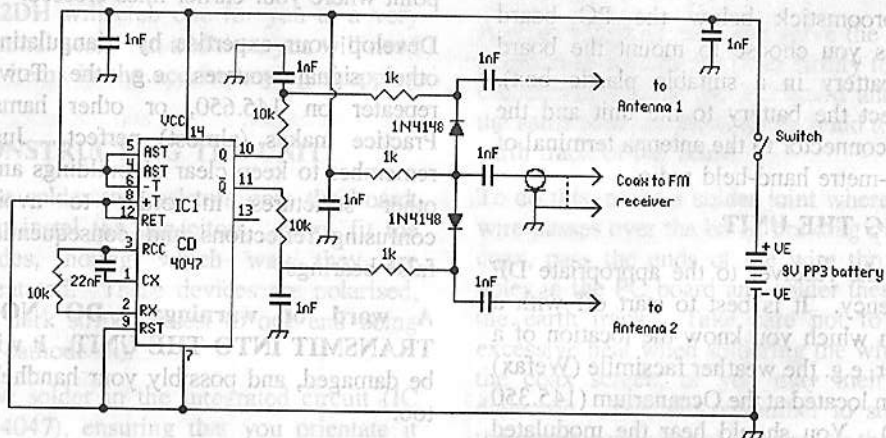


Figure 1. Circuit diagram of "Handi-Finder" direction finding unit

Handi-finder Direction Finding Antenna

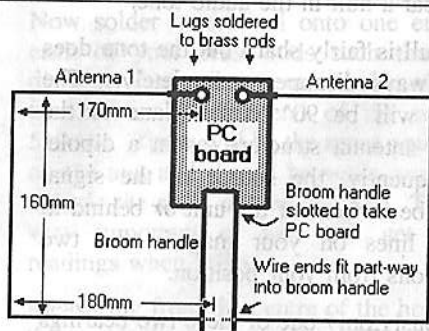


Figure 2. Mounting of PC board and antennas

PEARSTALK

Bacar project taking off

The technical group, who meet on the Wednesday evening following the Society's general meeting, decided as a first step to polish up their direction-finding capabilities. Members have been urged to put together suitable antennae for use with their handie talkies, and an active DF antenna constructed from a kit by Owen ZS2AZ seems a popular choice. Particulars of this antenna appear in the centre pages of this issue of QSX.

Johannes ZR2JLP is researching issues relating to the balloons, while Sean ZS2SNA is working on a beacon tone generator, which will drive a miniature 2m transmitter to be constructed by another participant or group.

A special get-together was set down for 9 April to discuss developments and take them a step further.

Strange but true

In the morning, several Hamnet officials are bemoaning the use, by run of the mill hams for ordinary ham-type QSOs, of 7070 kHz – the frequency adopted by Hamnet for monitoring in case of any emergency calls. Gaps are not left between overs, they say, and anyone trying to break in with an emergency call hasn't a chance. Some do not like monitoring while chatter is going on on the frequency, although the chatterers are often themselves Hamnet members. They also, admittedly, do not always operate by the book and leave gaps.

Anyway, come the afternoon, and the

Hamnet Simulated Emergency Contest on 40 metres, and some of those same first-mentioned officials are *using 7070 kHz for contesting, with participants scrambling all over one another to score a few points.* Anyone with an emergency would undoubtedly be hard put to make himself heard in *that* pile-up.

Thinking, even among Hamnet members, is divided on the issue of avoiding 7070 for ordinary QSOs and leaving it idle most of the time. Having experienced more than once the need to make emergency radio calls, I personally would break in between overs – if necessary on top of a station – on an *occupied* frequency to ask for help. I *know* 7070 is not monitored at all times and, even if it were, I might be skipt to anyone who *is* monitoring. Calling on a deserted part of the band could consequently waste valuable time. And leaving 7070 idle invites its use by stations outside our borders who are unlikely to be able to help in an emergency or even be sympathetic to the Hamnet cause.

Perhaps we really need to remember that ham radio is for ham activities first and foremost. Handling emergencies is a secondary issue which all hams should be alert enough to handle in their stride on any frequency. Hamnet's prime function should be to encourage this.

The Organisation is reportedly considering the use of alternative frequencies for general Hamnet and other discussions, leaving 7070 and 3695 as "priority" spots. However, the choice of 7066 and 3700 kHz as alternatives is puzzling – 7066 is

used for SARI. HQ and two clubs' bulletins and ensuing nets, while 3700 has been used nightly for several years by a group of AM fans who also transmit music.

Hopefully Hamnet has consulted the AM chaps – it surely would not want to oust long-standing users from their regular net frequencies.

New repeater hut populated

As mentioned on page 3, the repeater equipment was installed in the new hut on 21 March, some 13 hams and spouses (spice?) from the Eastern cape and Border turning up to help and also enjoy a bit of socialising. Thanks to all concerned, especially our Repeater Working Group foreman Chris ZS2AAW, and Julie (Cordon Bleu) Scarr ZR2EY who did what she does so well – catering.

Dick Schönborn ZS2RS and Lionel Coombe-Davis ZS2DD were the only hams present who also attended the installation of the old telephone booth that housed our repeater equipment for some 23 years, and there must have been a pang or two of sentimentality when it was finally decommissioned.

There has been a suggestion that the digipeater might find its way back to this site some time, which would facilitate access to the BBS by hams in the Cradock area. They have also mooted the linking of the Cradock repeater into our coastwise system.

Non-event of the Century?

After its advance billing in SARI bulletins as the *amateur radio event of the century*, SARI Natcon '97 seems to have been something of an anti-climax – at

least for those who were not able to attend (i.e. the majority of League members). The AGM itself – the anchor function to which other Natcon activities are secondary, might not have taken place so far as the country's hams are concerned. The only material from this important meeting in the next morning's SARI bulletin was the annual report of the President. Although lengthy in itself, it was boxed in between an item about the US and International callbook and some satellite and SAREX articles.

Neither that bulletin nor the following week's issue contained a report on the motions tabled at the AGM, nor has it been deemed necessary to tell members what's happening about our own South African callbook. It was due in 1995 but has still not reached the printers, let alone the members 'with the February issue of Radio ZS' as often promised.

In his report, the President indicated the intention to make the League more 'user-friendly' in the coming year. As a start he could do well to have councillors taking turns writing bulletins as was the vogue when Council was in Cape Town. The contents might then have a wider appeal to the average ham. At all costs they should be free of misinformation and should "tell it as it is" rather than as the writer would *like* it to be. Misinformation and bias in its official media, which occurred twice again just recently, does more damage to the League's credibility and popularity than some might think.

Some attempt should also be made to ensure that the bulletins appear on the published frequencies at the published times. Lately members have often had to hop around the band to find a SARI

bulletin.

DTMF Generators

DTMF tone generators are available at Dion's, in Greenacres, for under R38.

QRP Quote

Rev. George Dobbs G3RJV, secretary of the British QRP Club, quotes British philosopher William of Ockham (1290-1350) as having said "It is vain to do with more what can be done with less." And

he wasn't even a ham!

FLEA MARKETS

Organisers of flea markets please note: Deryck, ZS6KQ, has asked that anyone arranging a ham flea market or boot sale should let him have details of the date, time and venue. He hopes to be able to let a flea-market organiser know if a planned event is likely to clash with some other ham function, of which the organiser may not be aware.

FOR SALE ★ WANTED ★ SWOP

WANTED

- ★ New or used **Grid Dip Oscillator** – Lambert Ledoux, 19 Cypress Street, Cradock 5880 or ☎ (0481) 3504

FOR SALE

- ★ Kenwood TK805 **70cm Mobile transceiver**, DTMF control on microphone, 25W, 16 channels user-programmable, never been used, R1800; Phillips **CMT 2m transceiver** with 5 crystal channels, R150; Text **printer**, R50; Pye **Continental as scrap** for spares R10 – Gary Laaks ZR2ABU ☎ 56-0453 (home) or leave message at 38-1101.
- ★ Yaesu **FT7 10W trcvr** in good condx and fully operational, R500; Kenwood **TL120 100W linear**, as new, R500 (Fully compatible with the FT7 above - take both and get **R50 discount!**); **Antenna tuner** Kenwood AT120, R500; AEC **SWR meter** for HF/VHF, R100; Daiwa CN520 **cross-needle SWR/power meter** for HF, ranges 200W/2kW, R200; Daiwa CN620A **cross-needle SWR/power meter** for HF and VHF, ranges 20/200/1000W, R400; Akai **tape deck with Dolby** (for home use, not mobile) in perfect condx, R300; Kenwood **MC85 desk mic**, R500 – Beavan Gwilt ZS2RL ☎ 30-6968.
- ★ FT2B 12-channel 10-watt **2 metre FM mobile transceiver** (all channels fitted); IC215 12-channel, fully crystallised **2-metre transceiver** 5W/2W, for mobile or (by populating battery pack) portable use; IC202 **2-metre SSB transceiver** mobile or portable, 2 xtals fitted give 400 kHz tuning range 144 to 144,400 MHz, fitting additional xtal can put you in 2m satellite segment – André Botes ZS2ACP ☎ 73-2058 all reasonable hours.
- ★ Icom IC730 **HF transceiver with power supply**, including WARC bands, AM/SSB/CW (CW filter installed). Hardly used – Paul Smith ZS2OE ☎ 55-8850 (h) or 56-2222 ext 328 (w).

SWOP OR SELL

- ★ Eddystone EC10 **all-band HF receiver**; Katsumi **electronic keyer** – to sell or swop for cross-needle SWR/PWR metre to safely handle legal limit – Chick Mosley ☎ 54-1594.

Sympathy – Our condolences go to Kevin Karp ZR2KLM and family on the passing away last month of Kevin's brother André.

We also learned via a SARL bulletin that OM Gordon Knapp, ZS6AFL and a former member of the PE Branch passed away some time ago. We extend our condolences to XYL Joan and family.

Congratulations...

on your birthdays:

April

- 22 Alan Bowles ZS2BO
- 22 Doris Edwards ZS2DJ
- 22 Marge XYL of Jim van Loggerenberg ZS2LR
- 23 Colin Robertson ZS2CR
- 23 George Bowes ZS2QN
- 24 Arthur Edwards OM of Doris Edwards ZS2DJ
- 26 Soekie Moolman XYL of Jack ZS2KU
- 28 Chris Scarr ZS2AAW
- 30 Louis Jordaan ZR2J

May

- 1 Marge Weller ZS2OB
- 6 Joan XYL of Bill Browne ZS2BY
- 6 Wim Vorstenbosch ZS2WV
- 9 Sean Allen ZS2SNA
- 9 Chick Mosley ZS2LM
- 10 Attie Barnard ZR2DY
- 10 Jerome Putter ZR2JP
- 11 Shirley XYL of Tom Cockbain

ZS2TC

- 12 Elizabeth Oliphant XYL of André ZR2BC
- 15 Merle Jordaan XYL of Louis ZR2J
- 16 Dot XYL of Vic Plumridge ZS2VP
- 17 Keith Olivier ZR2AAX

on your anniversaries:

April

- 29 Gerhard & Hanni Baum ZR2JB & ZS2UM
- 29 Joey & Bernard Tyler ZS4CW

May

- 2 Gus & Shirley Winter ZS2MC
- 9 Evadne & Hardn Pearce
- 16 Jock & Anne Morris ZS2MD

Moving About: Ken & Judy Tremear ZS2BWB to 3DA-land for five weeks; David Butcher ZR2DCB, docked at Manila as we go to press, sends 73 to all – he will be returning home in October.

YLRL FOUNDER SK– Ethel Smith, K4LMB, of McLean, Virginia in the USA – the ham who inspired and helped found the Young Ladies Radio League – died on 5 February at the age of 79, according to an announcement quoted in Bloemfontein Amateur Radio Club's QUA. A ham for more than 67 years, Ethel discovered "wireless" as a youngster. She became licensed as W7FWB in 1936.

A story in the May 1940 issue of QST tells how Ethel's letter to that magazine encouraged other female hams to form their own organization. This became the YLRL in October 1939, Ethel being its first president. We understand that the South African counterpart of the YLRL, the SA Women's Radio Club, was the second such body in the world. Unfortunately it has been in limbo for many years due to a loss of members and the difficulty of running a national organisation under such circumstances. On the other hand, we are most fortunate to still have with us one of the founder members of SAWRC – and the first female ham in South Africa – Iris Hayes ZS2AA.

Ω

Your Society's Committee

Chairman: Special Events	Dick Schönborn ZS2RS	38-5070
Vice Chairman: Repeaters, Packet	Chris Scarr ZS2AAW	38-1344
Secretary	Beavan Gwilt ZS2RL	30-6968
Treasurer: Assets Control	Clive Fife ZS2RT	32-3203
assisting with Assets Control	Lynne Crothall ZS2MM	35-4671
Social, Awards	Viv Moore ZS2VM	30-4433
assisting with refreshments at meetings	Bill Hodges ZS2ABZ	51-2580
QSX Manager	Trevor Scarr ZS2AE	32-1746
assisting as QSX Editor/layout	Garth Laaks ZS2HB	38-1101
Technical Classes	Al Akers ZS2U	30-2983

PEARS' VHF & Other Services

REPEATERS

Town VHF	145,050/650	Kareedouw	† 145,125/725
Town UHF	431,050/438,650	Knysna	* 145,050/650
Cockscomb	145,000/600	Lady's Slipper	* 145,100/700
Cradock	145,050/650	Uitenhage	145,075/675
Grahamstown	* 145,150/750	Theescombe	† 145,175/775

* The East London 145,125/725 MHz repeater and the George repeater on 145,100/700 are linked to PE's long-range 2m repeater system.

† These are privately owned repeaters and are not included in the PEARS linked repeater system.

OTHER SERVICES

Packet Bulletin Board (ZSØNTP)	144,625
Packet Rose Switch (ZSØGHT 3,046101/046102)	144,675
2m Beacon (ZS2VHF CW ID)	144,910
6m Beacon (ZS2SIX CW ID)	50,005
6m Link with Lady's Slipper 2m Repeater	51,400
Wefax Relay (Meteosat)	145,350

Sunday Bulletins

PEARS bulletins are transmitted on Sundays immediately after the SARL English transmission, i.e. at about 08:45, on 7098 kHz as well as the 2 metre linked network that provides coverage from East London to George and environs via repeaters on 145,750 MHz (Grahamstown), 145,700 (PE Slipper), 145,650 (Knysna), George's 145,700 and East London's 145,725. PEARS' 7098 or 3640 kHz transceive facilities are also remotely linked as needed. In addition, the SARL's 40m transmissions on 7082 or 7066 kHz can be remotely patched into the 2m network.

Date	Prepare and Read on 145,750	DIARY DATES
		APRIL
		18 PEARS monthly meeting
		23 Technical evening
		26 Marconi Day
		MAY
		11 10-Metre QSO Party
		15 RAE examination
13 Apr	ZS2U	
20	ZS2AAW	
27	ZS2AE	
4 May	ZS2RS	
11	ZS2RT	
18	Chairman	

★ We Like Being Your Society! ★